

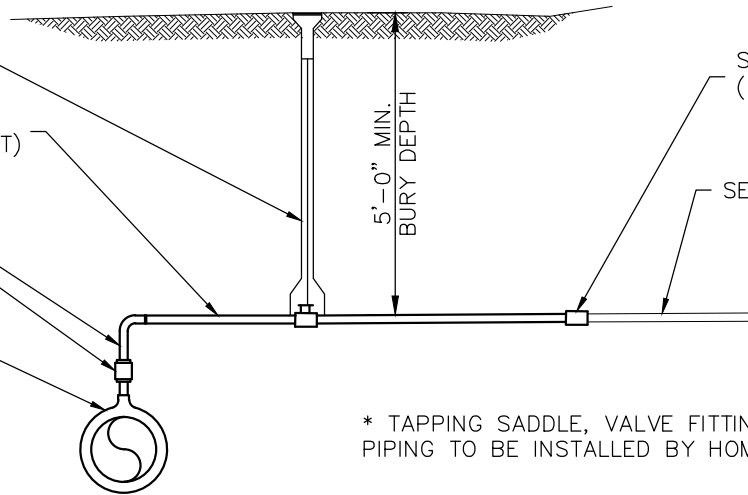
DWG: F:\Projects\013-2602\Documents\Specs\Spec Items For Web Site\Homeowner Provided Utility Details.dwg  
 DATE: Jun 15, 2015 3:06pm  
 USER: jday

1" CURB STOP W/ BOX  
 (PAY ITEM, EACH)

3/4", 1", OR 1-1/2"  
 COPPER OR POLYETHYLENE  
 WATER SERVICE TUBING  
 (PAY ITEM, PER LINEAR FOOT)  
 SWIVEL BEND

CORPORATION STOP

NEW WATER MAIN W/  
 TAPPING SADDLE



SERVICE COUPLING  
 (AS REQUIRED)

SERVICE TO HOME

\* TAPPING SADDLE, VALVE FITTINGS, & ALL  
 PIPING TO BE INSTALLED BY HOMEOWNER

**\*TYPICAL SERVICE CONNECTION** D

SCALE: 1/2" = 1'-0"

PROJECT NO:	013-2602
DRAWN BY:	EJB
DATE:	2/17/15

**WATERSERVICE  
 CONNECTION DETAIL**



601 P Street, Suite 200  
 P.O. Box 84608  
 Lincoln, NE 68508  
 TEL 402.474.6311  
 FAX 402.474.5160

EXHIBIT
<b>4</b>